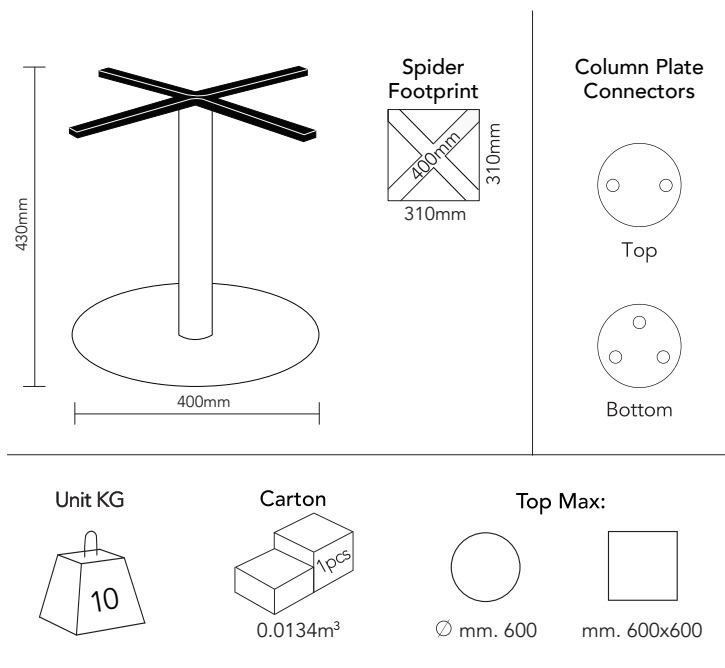


Prague D400

DIMENSIONS



FINISHES



Brushed Satin



DETAILS

BASE
#201 Stainless Steel

COLUMN
#201 Stainless Steel

ORIGIN
China

USE
Indoor

DESCRIPTION

The Prague D400 coffee table is a spun stainless steel base in brushed satin finish. This base features a straight edge profile, 400 x 400 x 20mm spider with templated pre-drilled holes that are identical with all spiders. The D63mm column has reinforced top & bottom internal connector plates. This base is recommended for indoor use & can be powdercoated in a variety of colours.