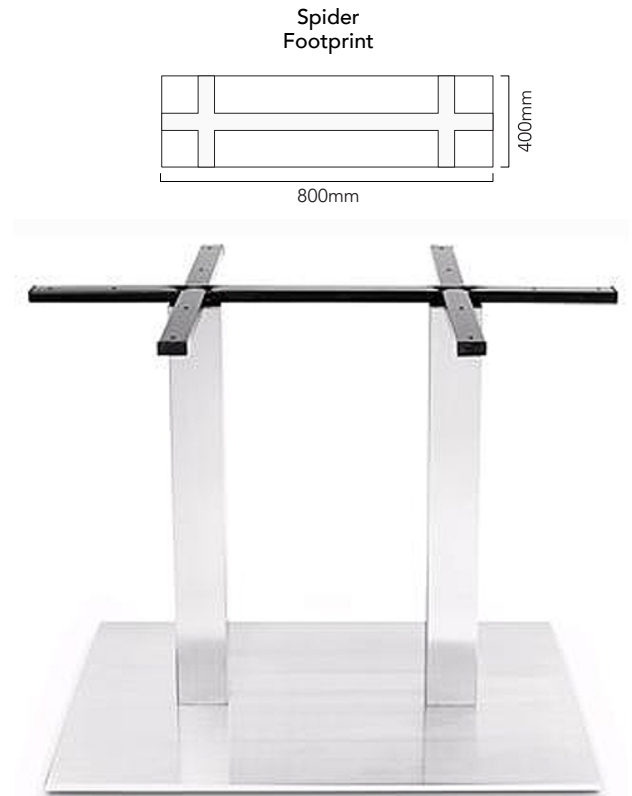
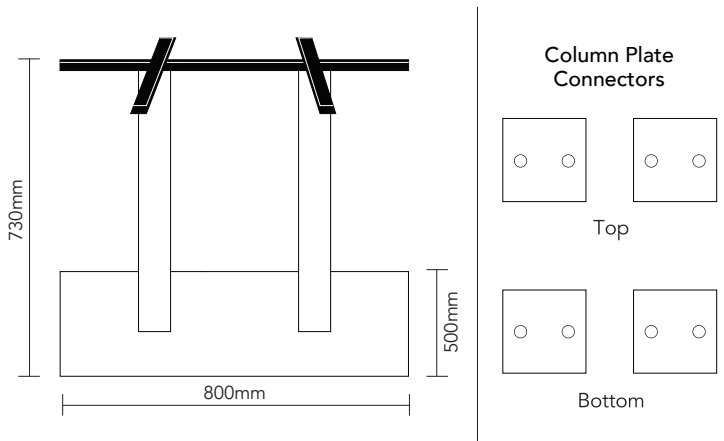


Prague 800x500

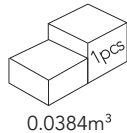
DIMENSIONS



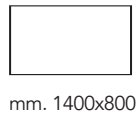
Unit KG



Carton



Top Max:



FINISHES



Brushed Satin

DETAILS

BASE

#201 Stainless Steel

COLUMN

#201 Stainless Steel

ORIGIN

China

USE

Indoor

DESCRIPTION

The Prague 800 x 500 table is a spun stainless steel base in a brushed satin finish, 800x 400 x 20mm spider with templated pre-drilled holes that are identical with all spiders. The 2x60x60mm columns have reinforced top & bottom internal connector plates. This base is recommended for indoor use & can be powdercoated in a variety of colours.