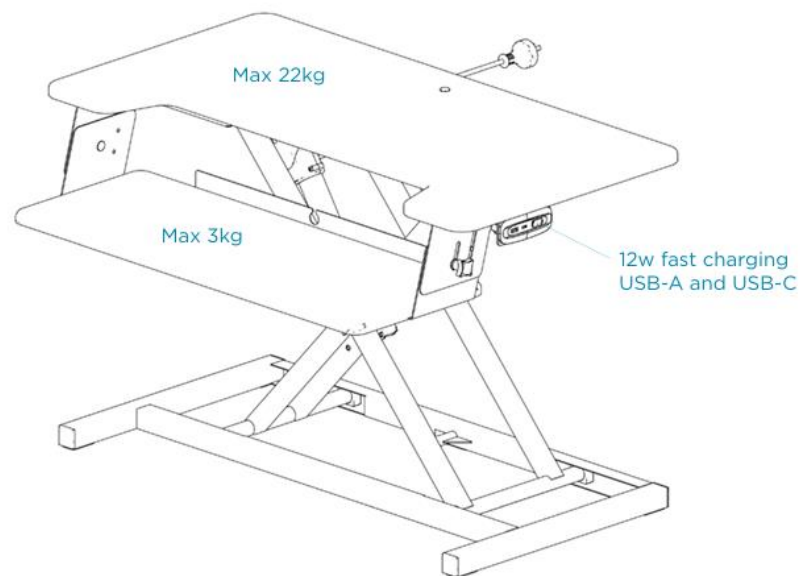
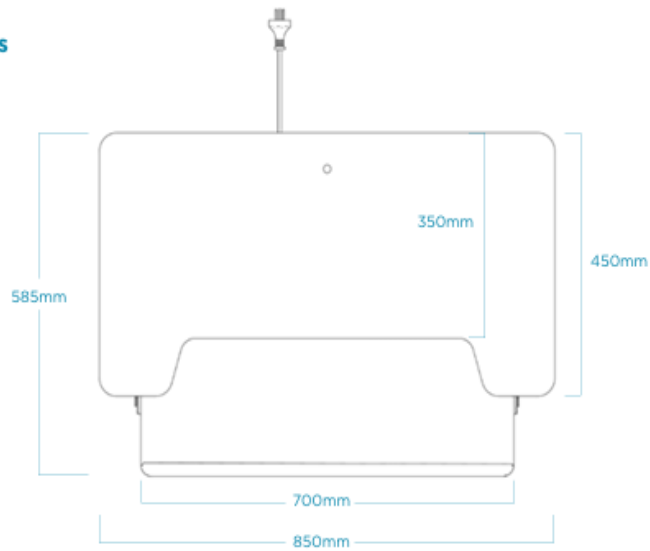


MAXISHIFT Lite V2

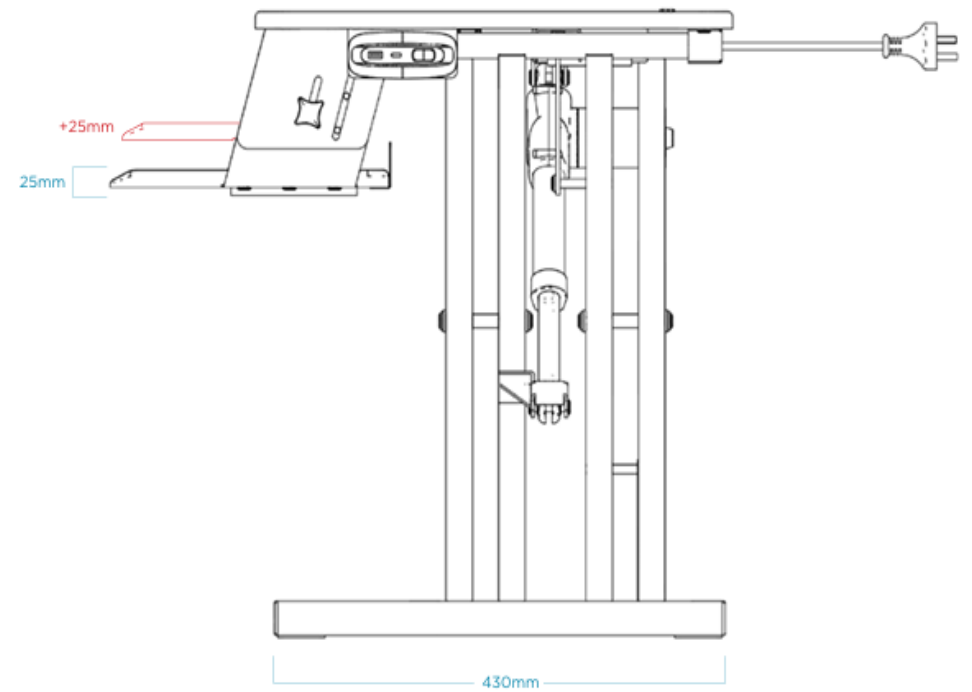
Lifting Mechanism	Electric
Charging Ports	USB-A and USB-C on controller
Travel Distance	395mm
Height Range Worksurface	155 - 550mm
Height Range Keyboard	25 - 445mm
Worksurface Dimensions	850 x 450/350mm
Keyboard Tray Dimensions	700 x 265mm
MIN Worktop Depth required	585mm (450mm with keyboard tray overhang)
MAX Weight Capacity	25kg
Monitor Arm Option	Yes (max weight capacity 10kg)
Physical Weight	16.5kg
Warranty	5 Years



Top Dimensions



Frame / Height Dimensions



Frame / Height Dimensions

