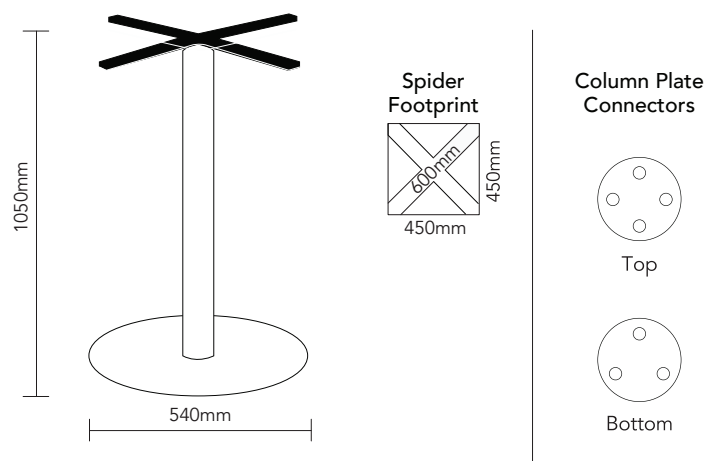


Danube D540

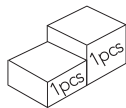
DIMENSIONS



Unit KG



Carton



0.0273-m³

Top Max:



Ø mm. 900



mm. 900x900



FINISHES



Matt Black
Powdercoat



DETAILS

BASE

Mild Steel

COLUMN

Mild Steel

ORIGIN

China

USE

Indoor

DESCRIPTION

The Danube Dry Bar D540 table is a mild steel base, powdercoat in a matt finish. This base features a straight edge profile, 600 x 600 x 20mm spider with templated pre-drilled holes that are identical with all spiders. The D76mm column has reinforced top & bottom internal connector plates. This base is recommended for indoor use.