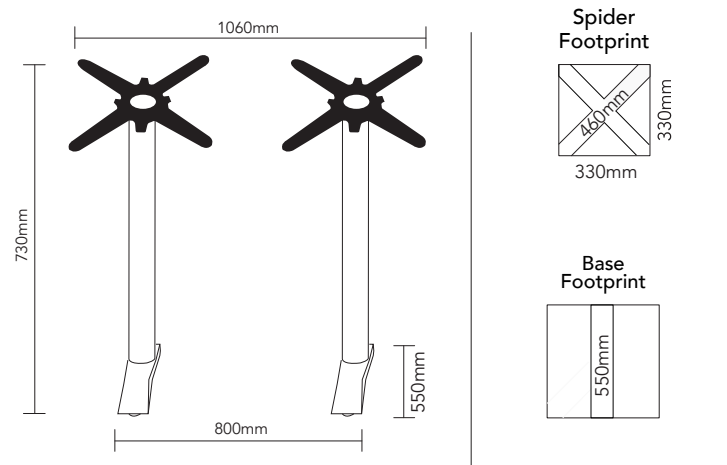


# Accra 2 Way

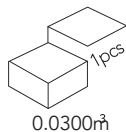
## DIMENSIONS



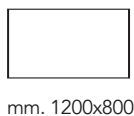
Unit KG



Carton



Top Max:



mm. 1200x800

## FINISHES



Textured Semi Gloss  
Black



## DETAILS

### BASE

Cast Iron

### COLUMN

Cast Iron

### ORIGIN

China

### USE

Indoor

## DESCRIPTION

The Accra 2 Way base consists of a cast iron base & column in a textured semi gloss black finish. This base features 2x cast iron 460 x 460 x 7mm spiders & 2x D76mm column. This base is recommended for indoor use.